

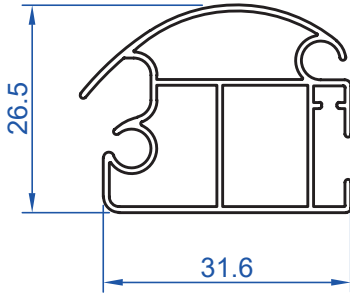
AYDE

TENTE PROFİLLERİ

AWNING PROFILES

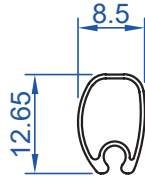
19000

1,477 kg / mt



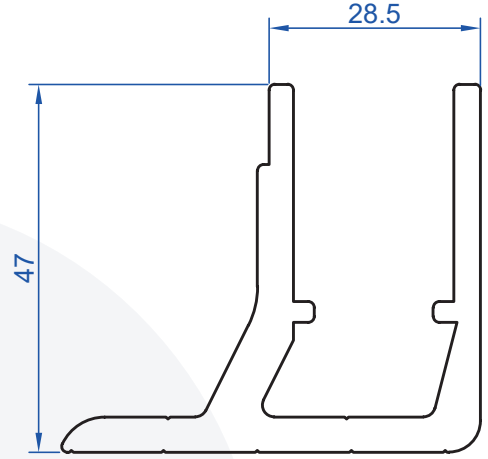
19001

0,241 kg / mt



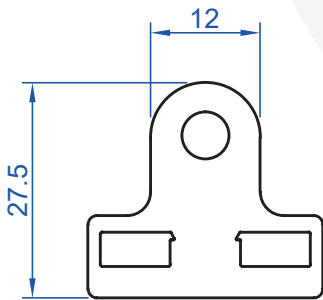
19002

6,614 kg / mt



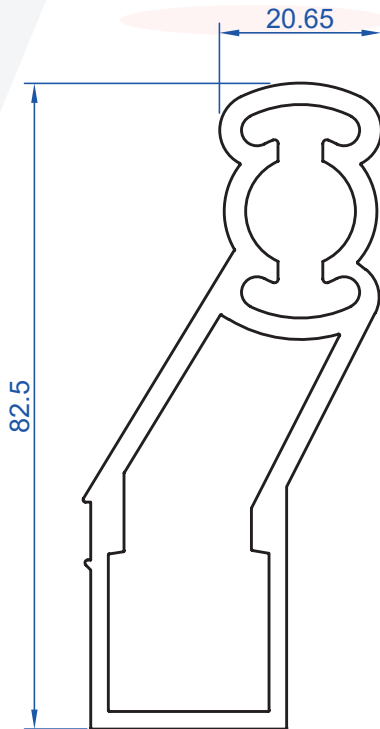
19003

4,635 kg / mt



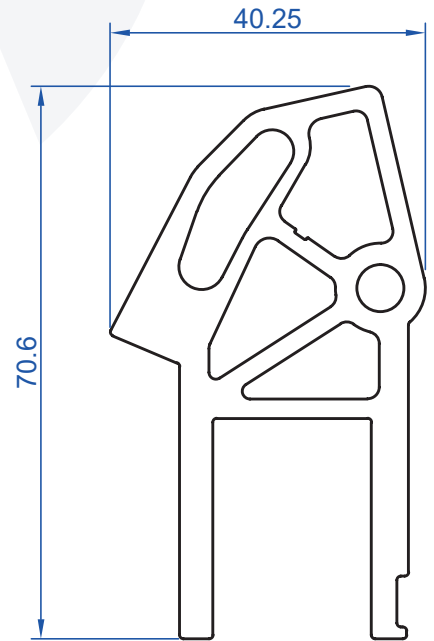
19004

6,997 kg / mt



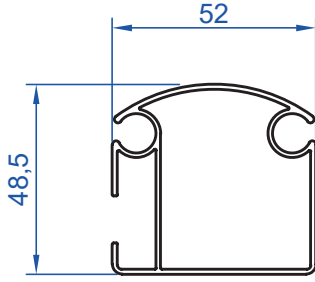
19005

9,041 kg / mt



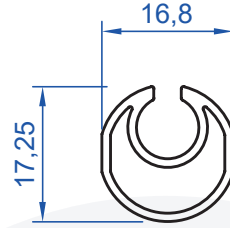
19006

0,821 kg / mt



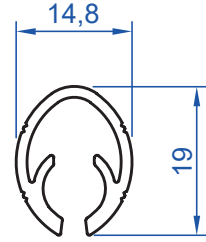
19007

0,214 kg / mt



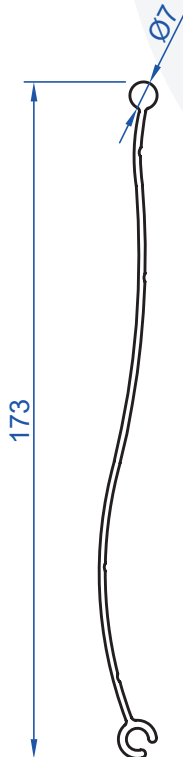
19008

0,222 kg / mt



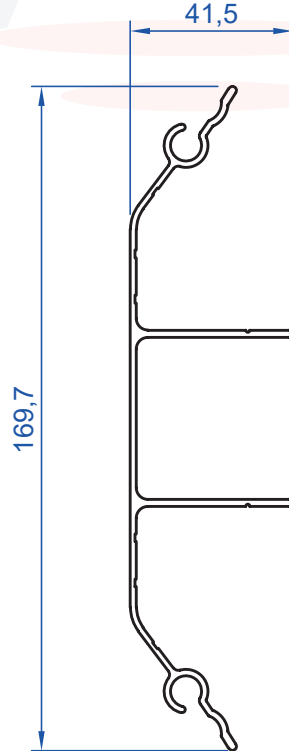
19009

0,903 kg / mt



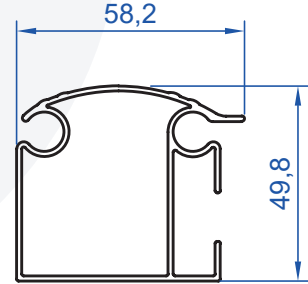
19010

1,290 kg / mt



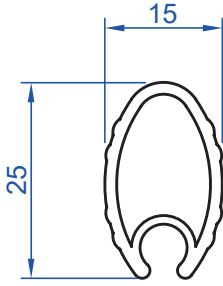
19011

0,919 kg / mt



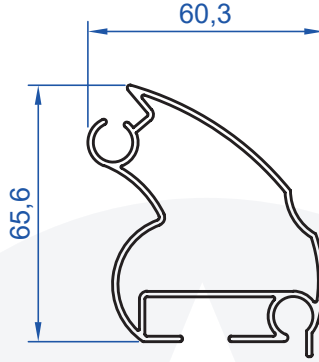
19012

0,282 kg / mt



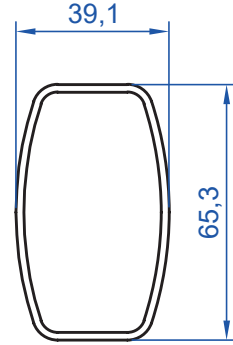
19013

1,104 kg / mt



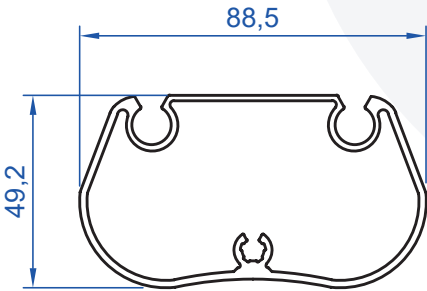
19014

0,953 kg / mt



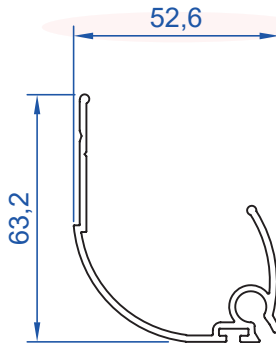
50850

1,493 kg / mt



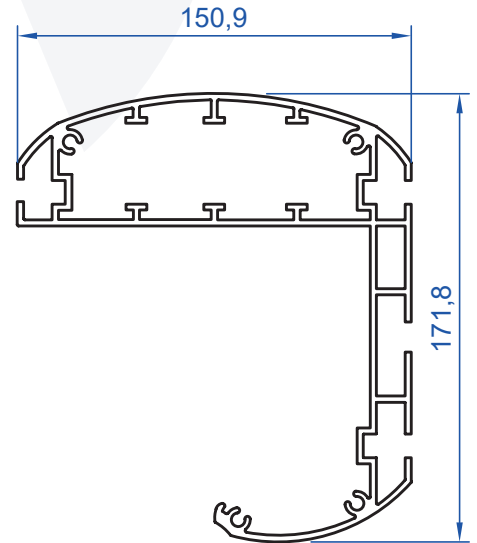
50851

0,741 kg / mt



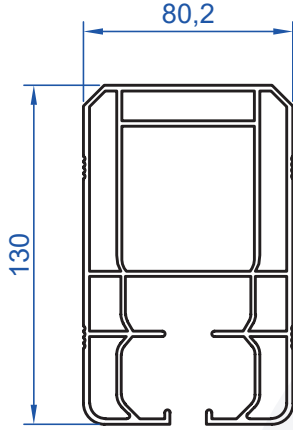
50852

5,448 kg / mt



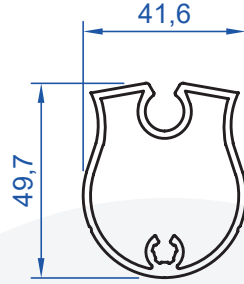
50853

4,705 kg / mt



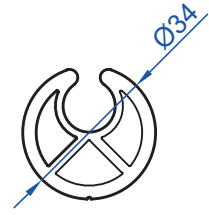
50854

0,998 kg / mt



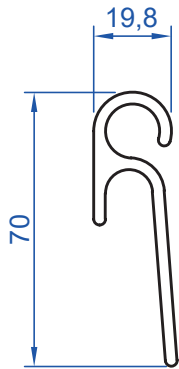
50566

1,195 kg / mt



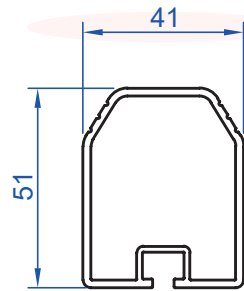
50567

0,986 kg / mt



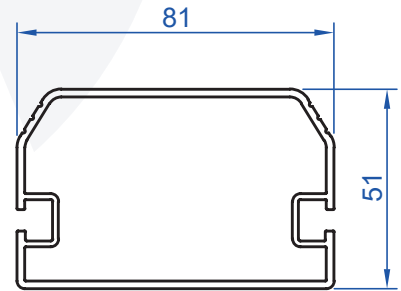
50922

0,962 kg / mt



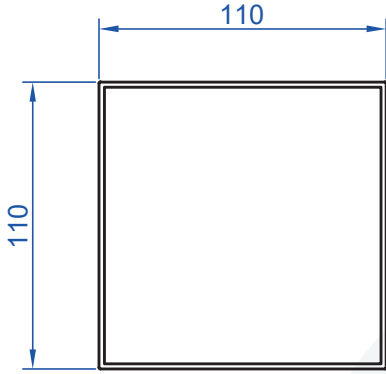
50923

1,475 kg / mt



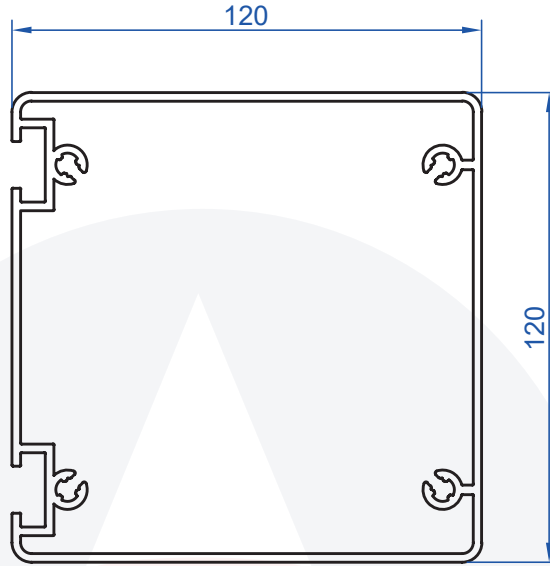
50924

2,349 kg / mt



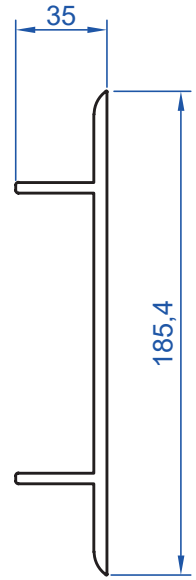
70119

3,571 kg / mt



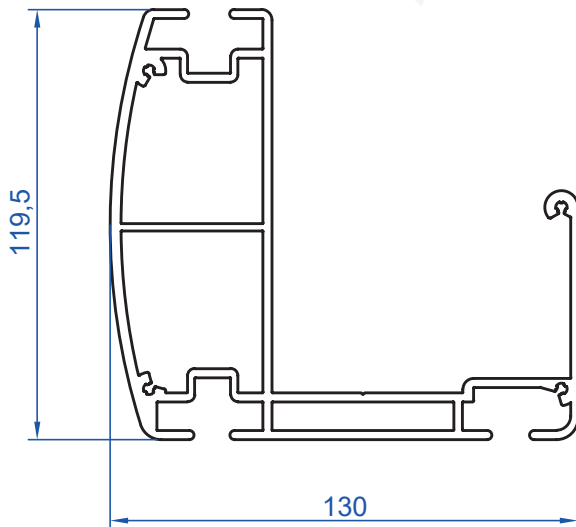
70120

3,100 kg / mt



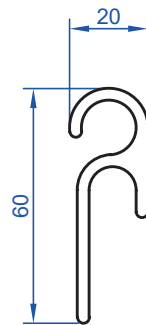
70121

4,620 kg / mt



19015

0,887 kg / mt



19016

1,075 kg / mt

